

EPI KSP45L Series

Features of the EPI "KSP45L" Series

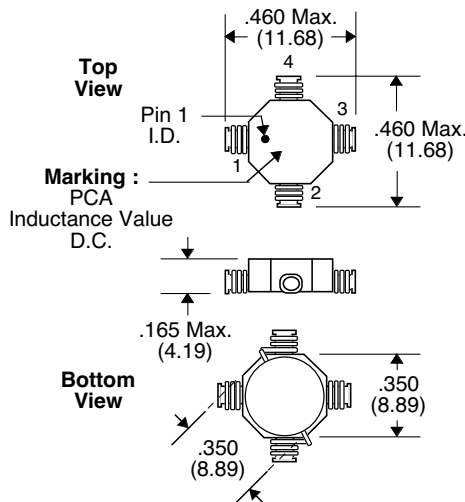
- Low loss material ensures operation in high frequency switching converters, such as Buck, Boost or as output averaging filter inductor
- Also suitable for use in high quality filter applications and as a Coupled Inductor
- Low cost Robust construction to withstand most SMT processes



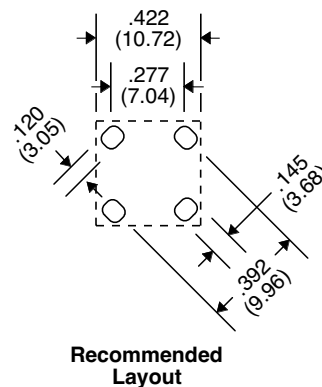
Primary Specification

Part Number	Connection	Inductance ($\mu\text{H} \pm 20\%$) @ 0 Adc	Inductance ($\mu\text{H} \text{ Min.}$) @ Idc	DCR ($\Omega \text{ Max.}$)	I dc (Amps)
EPI0L3552KSP45L	Series	1.6	1.2	.024	2.75
EPI0L3552KSP45L	Parallel	.40	0.3	.006	5.5
EPI0L4512KSP45L	Series	2.4	1.6	.028	2.55
EPI0L4512KSP45L	Parallel	.60	0.4	.007	5.1
EPI0L7452KSP45L	Series	4.4	2.8	.032	2.25
EPI0L7452KSP45L	Parallel	1.1	0.7	.008	4.5
EPI1L3342KSP45L	Series	8.0	5.2	.056	1.7
EPI1L3342KSP45L	Parallel	2.0	1.3	.014	3.4
EPI3L3202KSP45L	Series	19.2	13.2	.164	1.0
EPI3L3202KSP45L	Parallel	4.8	3.3	.041	2.0
EPI5L3182KSP45L	Series	32.4	21.2	.208	0.90
EPI5L3182KSP45L	Parallel	8.1	5.3	.052	1.8
EPI6L2172KSP45L	Series	38.4	24.8	.228	0.85
EPI6L2172KSP45L	Parallel	9.6	6.2	.057	1.7
EPI9L6142KSP45L	Series	60	38.4	.348	0.70
EPI9L6142KSP45L	Parallel	15.0	9.6	.087	1.4
EPI140102KSP45L	Series	82	56.0	.636	0.50
EPI140102KSP45L	Parallel	20.5	14.0	.159	1.0

Package KSP45L



Schematic



- Notes :**
1. Temperature Rise : 40°C Max. @ Idc
 2. Inductance Change at Idc : 40% Max.

Unless Otherwise Specified Dimensions are in Inches /mm $\pm .010 / .25$

EPI KSP45L Series

Features of the EPI "KSP45L" Series

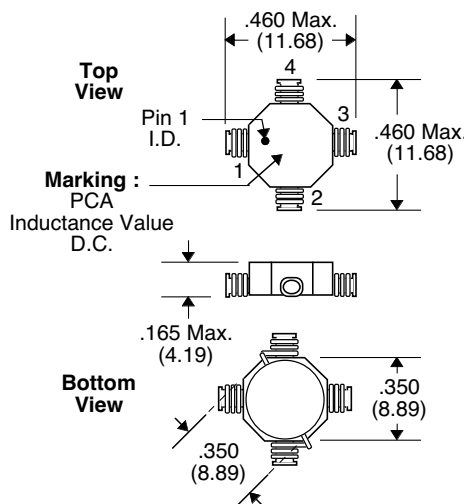


- Low loss material ensures operation in high frequency switching converters, such as Buck, Boost or as output averaging filter inductor
- Also suitable for use in high quality filter applications and as a Coupled Inductor
- Low cost Robust construction to withstand most SMT processes

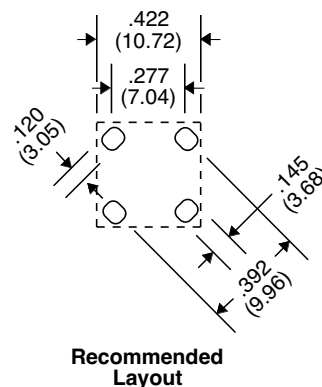
Primary Specification

Part Number	Connection	Inductance ($\mu\text{H} \pm 20\%$) @ 0 Adc	Inductance ($\mu\text{H} \text{ Min.}$) @ Idc	DCR ($\Omega \text{ Max.}$)	I dc (Amps)
EPI170961KSP45L	Series	102	68	.708	0.48
EPI220801KSP45L	Parallel	25.4	17	.177	0.96
EPI220801KSP45L	Series	129	88	1.004	0.40
EPI220801KSP45L	Parallel	32.3	22	.251	0.80
EPI330701KSP45L	Series	202	132	1.264	0.35
EPI330701KSP45L	Parallel	50.5	33	.316	0.70
EPI430661KSP45L	Series	274	172	1.492	0.33
EPI430661KSP45L	Parallel	68.4	43	.373	0.66
EPI630541KSP45L	Series	396	252	2.228	0.27
EPI630541KSP45L	Parallel	99.0	63	.557	0.54
EPI960441KSP45L	Series	603	384	3.376	0.22
EPI960441KSP45L	Parallel	150.7	96	.844	0.44
EPI131361KSP45L	Series	794	520	4.832	0.18
EPI131361KSP45L	Parallel	198.4	130	1.028	0.36
EPI191321KSP45L	Series	1200	760	6.100	0.16
EPI191321KSP45L	Parallel	300	190	1.525	0.32

Package KSP45L



Schematic



- Notes :**
1. Temperature Rise : 40°C Max. @ Idc
 2. Inductance Change at Idc : 40% Max.

Unless Otherwise Specified Dimensions are in Inches /mm $\pm .010 / .25$