

December 22, 1997

TEL:805-498-2111 FAX:805-498-3804 WEB:http://www.semtech.com

QUICK REFERENCE DATA

- $V_R = 50V - 1000V$
- $I_F = 120A$
- $t_{rr} = 150nS$
- $I_{FSM} = 1800A$

HIGH CURRENT, HIGH DENSITY, FAST RECOVERY SILICON POWER RECTIFIER STUD

- Low thermal impedance
- Low forward voltage drop
- Low reverse recovery time
- Low reverse leakage current
- High forward and surge currents ratings

ABSOLUTE MAXIMUM RATINGS

Device Type*	Working Reverse Voltage (V_{RWM})	Average Rectified Current $I_{F(AV)}$					1 Cycle Surge Current I_{FSM} $t_p = 8.3mS$		Repetitive Surge Current I_{FRM}
		insert mounting			stud mounted	stud + insert	@ 25°C	@ 100°C	
		@ 25°C	@ 55°C	@ 100°C	@ 55°C	@ 55°C			
Volts	Amps	Amps	Amps	Amps	Amps	Amps	Amps	Amps	
SCSF05	50	120	100	65	82.5	150	1800	1200	250
SCSF1	100	120	100	65	82.5	150	1800	1200	250
SCSF2	200	120	100	65	82.5	150	1800	1200	250
SCSF4	400	120	100	65	82.5	150	1800	1200	250
SCSF0	1000	85	70	50	60	105	1250	875	150

Normal polarity is cathode to stud

* add suffix "R" to part number for reverse polarity

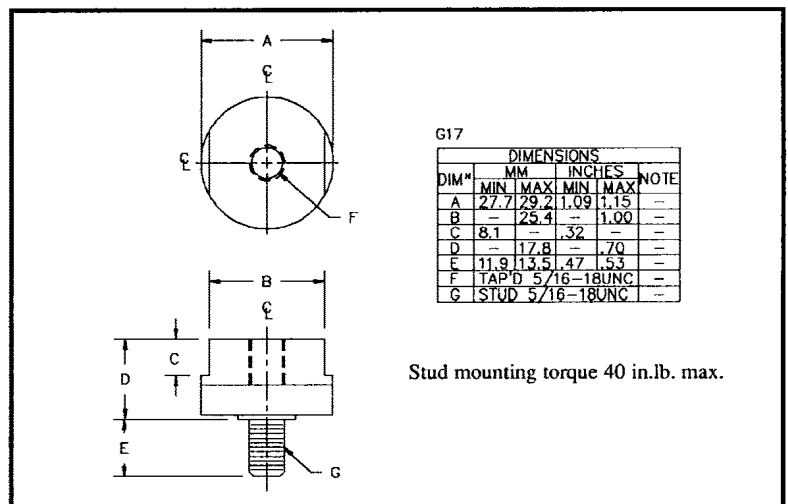
MECHANICAL

Maximum thermal impedances

Stud mounted $R_{\theta JC} < 0.67^\circ C/W$

Insert mounted $R_{\theta JC} < 0.5^\circ C/W$

Stud + insert mtd $R_{\theta JC} < 0.28^\circ C/W$



December 22, 1997

ELECTRICAL CHARACTERISTICS

Device Type	Maximum Reverse Leakage Current I_R @ V_{RWM}		Forward voltage V_F @ 100A.	Reverse Recovery Time ⁽¹⁾
	@ 25 °C	@ 100 °C	Max @ 25°C	max @ 25 °C
	μA	μA	Volts	nS
SCSF05	12.0	300	1.35	150
SCSF1	12.0	300	1.35	150
SCSF2	12.0	300	1.35	150
SCSF4	12.0	300	1.35	150
SCSF0	12.0	300	2.0	150

1) Measured on discrete devices prior to assembly.

Operating temperature range -55 °C to +150 °C
Storage temperature range -55 °C to +150 °C

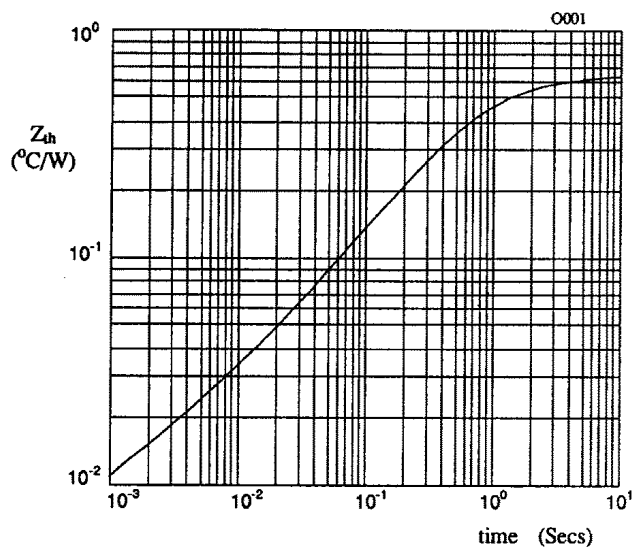


Fig 1. Transient thermal impedance characteristic when stud mounted.

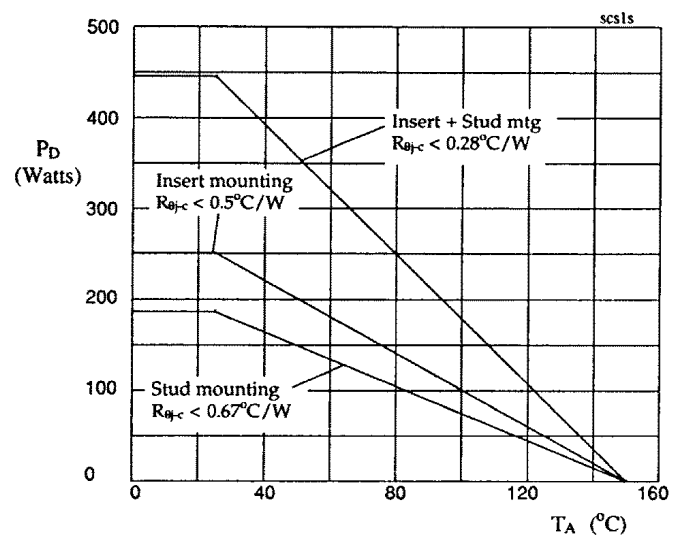


Fig 2. Power dissipation as a function of ambient temperature for different mountings.

December 22, 1997

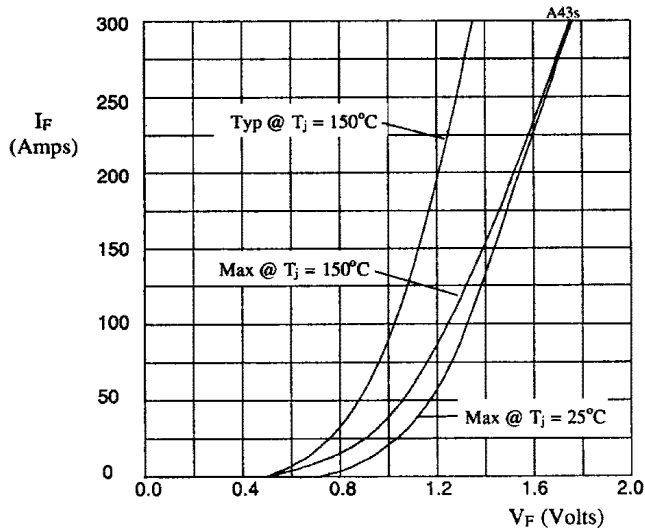


Fig 2. Forward voltage drop as a function of forward current for SCSF05 thru SCSF4.

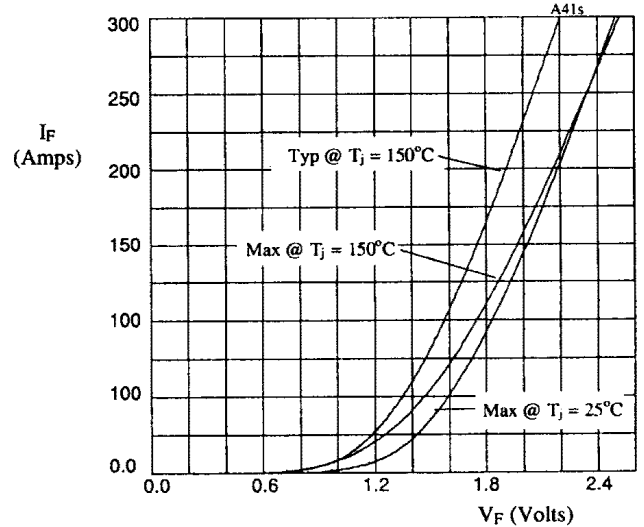


Fig 3. Forward voltage drop as a function of forward current for SCSF0.

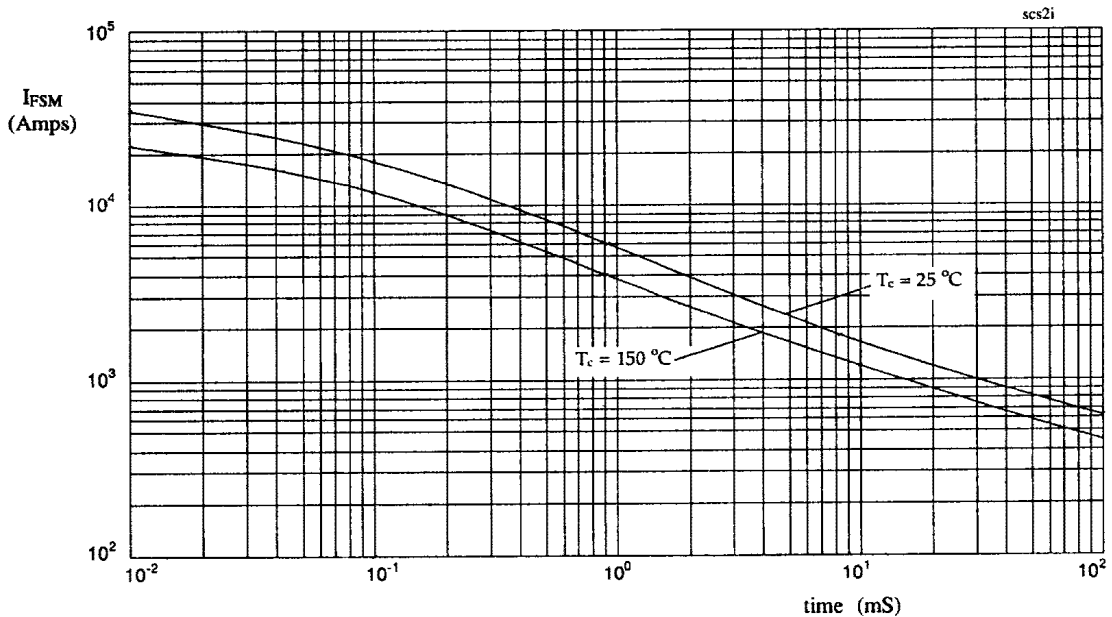


Figure 4. Maximum non-repetitive surge current against pulse width (SCSF05 thru SCSF4).