

January 9, 1998

TEL:805-498-2111 FAX:805-498-3804 WEB:http://www.semtech.com

HIGH VOLTAGE, HIGH DENSITY, STANDARD RECOVERY MODULAR RECTIFIER ASSEMBLY

QUICK REFERENCE DATA

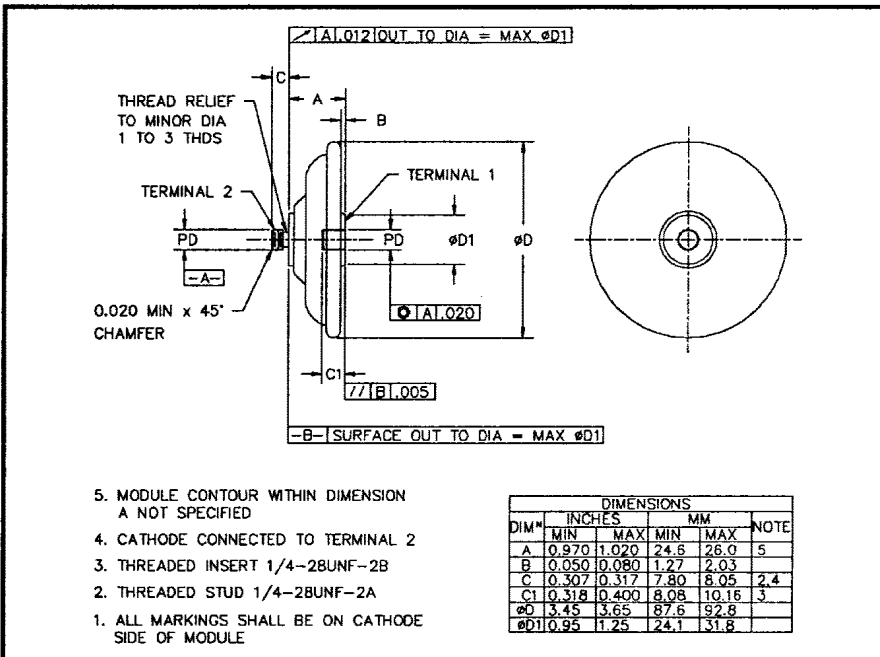
- Up to 15kV reverse voltage
- Modular construction
- Low reverse leakage current
- High thermal shock resistance
- Provides design versatility

- $V_R = 7.5kV - 10kV$
- $I_F = \text{to } 3.75A$
- $I_R = 1.0\mu A$
- $I_{FSM} = 50A$

ABSOLUTE MAXIMUM RATINGS

Device Type	Working Reverse Voltage V_{RWM}	Rectified Current $I_F(AV)$			1 Cycle Surge Current I_{FSM} $t_p = 8.3mS$ @ T_{jMAX}	I^2t $t_p = 8.3mS$ @ $25^\circ C$
		Air @ $25^\circ C$	Air @ $100^\circ C$	Still oil @ $55^\circ C$		
		Volts	Amps	Amps	Amps	Amps
SHVS7.5	7500	2.4	1.3	3.75	100	37
SHVS10	10000	2.2	1.2	3.4	100	37

MECHANICAL



January 9, 1998

ELECTRICAL CHARACTERISTICS

Device Type	Maximum Reverse Leakage Current $I_R @ V_{RWM}$		Maximum Forward Voltage $V_F @ 3.0A @ 25^\circ C$	Maximum Reverse Recovery Time ¹ $t_{rr} @ 25^\circ C$
	@ 25 °C	@ 100 °C		
	µA	µA	Volts	µS
SHVS7.5	1.0	10	9.2	5.0
SHVS10	1.0	10	11.5	5.0

1. Measured on discrete devices prior to assembly

Operating temperature range -55 °C to +150 °C
Storage temperature range -55 °C to +150 °C

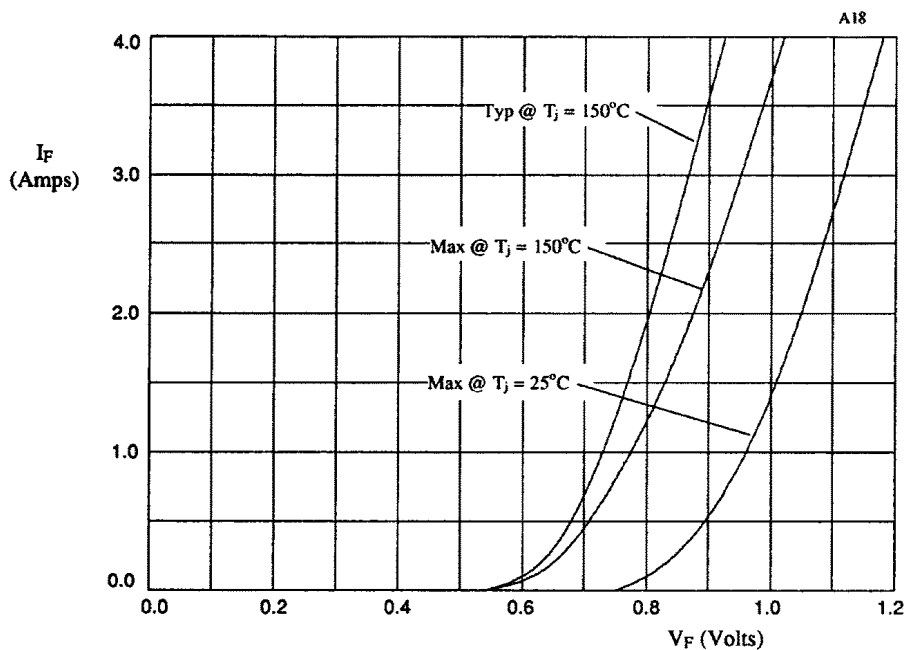


Figure 1. Forward voltage drop as a function of forward current for use with table 1.

TABLE 1

DEVICE	X-axis
SHVS7.5	x8
SHVS10	x10