

## High Voltage Power Operational Amplifiers



### FEATURES

- Up to  $\pm 110$  V Power Supply
- 12 A Continuous Output Current, Typical
- 250 W Continuous Power Dissipation at  $T_C = 25$  °C
- 4 MHz Gain Bandwidth Product

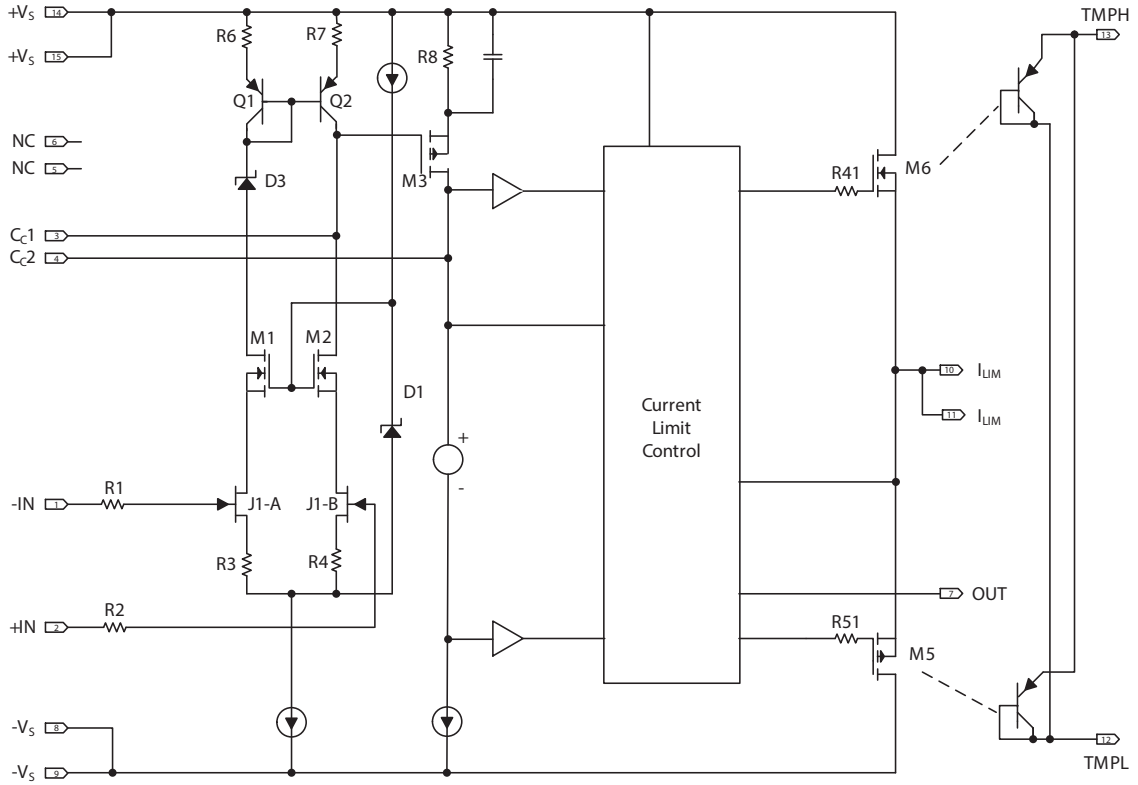
### APPLICATIONS

- Programmable Voltage or Current Sources
- Piezo Electric Positioning
- Deformable Mirror Focus
- Electrostatic Transducers

### DESCRIPTION

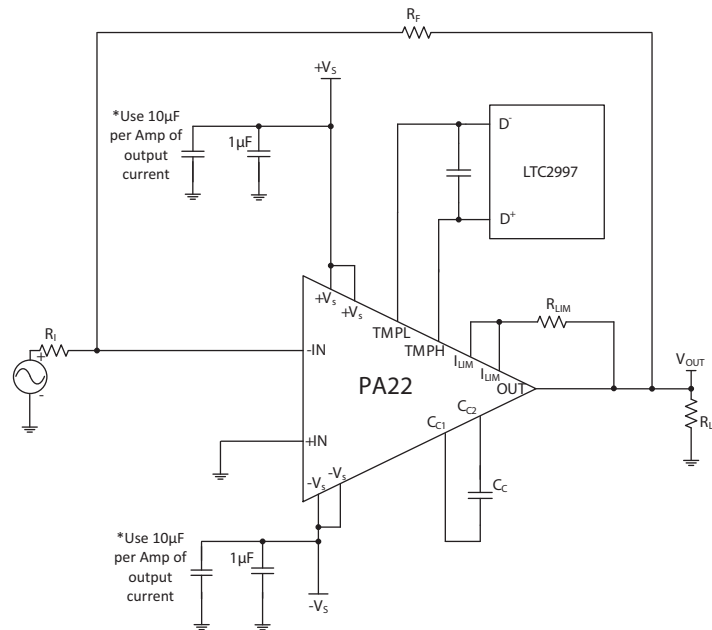
The PA22 linear power operational amplifier is specifically designed for high pulse current applications. With its peak current capability of 13.6 A and internal power dissipation of 250 W, this amplifier offers power density yet unseen in SIP form-factors. Its novel design allows for easy and reliable connection to a heatsink, as well as strong performance even when socketed. This amplifier is equipped with temperature sensing and current limit.

Figure 1: Equivalent Schematic



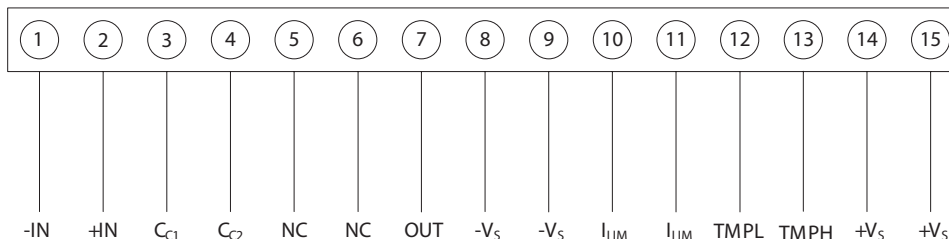
TYPICAL CONNECTION

Figure 2: Typical Connection



**PINOUT AND DESCRIPTION TABLE**

**Figure 3: External Connections**



Pin Number	Name	Description
1	-IN	Inverting input
2	+IN	Non-inverting input
3	C <sub>C1</sub>	Compensation capacitor connection. Select value based on Phase Compensation. See applicable section.
4	C <sub>C2</sub>	Compensation capacitor connection. Select value based on Phase Compensation. See applicable section.
7	OUT	The output voltage sense, no current driving capability; connect this pin to the load and the feedback resistors.
8, 9	-V <sub>S</sub>	The negative supply rail. Pins 8 and 9 are internally connected.
10, 11	I <sub>LIM</sub>	The output with current driving capability. Connect to the current limit resistor. Output current flows into/out of these pins through R <sub>LIM</sub> . The output pin and the load are connected to the other side of R <sub>LIM</sub> . Pins 10 and 11 are internally connected.
12	TMPL	Cathode side of two parallel-connected temperature-sensing transistors, mounted on top of one of the sinking and one of the sourcing output elements. Connect to LTC2997 D- pin for PTAT voltage.
13	TMPH	Anode side of two parallel-connected temperature-sensing transistors, mounted on top of one of the sinking and one of the sourcing output elements. Connect to LTC2997 D+ pin for PTAT voltage.
14, 15	+V <sub>S</sub>	The positive supply rail. Pins 14 and 15 are internally connected.
5, 6	NC	No Connection

## SPECIFICATIONS

Unless otherwise noted:  $T_C = 25\text{ }^\circ\text{C}$ ,  $C_C = 47\text{ pF}$ ,  $+V_S = 100\text{ V}$ ,  $-V_S = -100\text{ V}$ . DC input specifications are +/- value given.

### ABSOLUTE MAXIMUM RATINGS

Parameter	Symbol <sup>1</sup>	Min	Max	Units
Supply Voltage, total	$+V_S$ to $-V_S$	40	250	V
Output Current, peak, within SOA	$I_{OUT}$		13.6	A
Power Dissipation, internal, continuous <sup>2</sup>	$P_D$		250	W
Input Voltage, differential	$V_{IN(Diff)}$	-25	25	V
Input Voltage, common mode	$V_{CM}$	$-V_S$	$+V_S$	V
$I_{LIM}$ to OUT Pin Voltage Differential	$V_{LIM}$	-5	5	V
Temperature, pin solder, 10s			260	$^\circ\text{C}$
Temperature, junction	$T_J$		150	$^\circ\text{C}$
Temperature Range, storage		-40	+85	$^\circ\text{C}$
Operating Temperature Range, case	$T_C$	-25	+85	$^\circ\text{C}$

- $+V_S$  and  $-V_S$  denote the positive and negative supply voltages.
- Long term operation at the maximum junction temperature will result in reduced product life. Derate power dissipation to achieve high MTTF.

### CAUTION

The PA22 is constructed from MOSFET transistors. ESD handling procedures must be observed. The internal substrate contains Beryllia (BeO). Do not break the seal. If accidentally broken, do not crush, machine, or subject to temperatures in excess of  $850\text{ }^\circ\text{C}$  to avoid generating toxic fumes.

**INPUT**

Parameter	Test Conditions	Min	Typ	Max	Units
Offset Voltage, initial			5	20	mV
Offset Voltage vs. Temperature <sup>1</sup>	25 °C to 85 °C		90	250	μV/°C
Offset Voltage vs. Supply			22	50	μV/V
Offset Voltage vs. Time			130		μV/kh
Bias Current, initial <sup>2</sup>			100	2000	pA
Bias Current vs. Supply			4		pA/V
Offset Current, initial			50	2000	pA
Input Impedance, DC			10 <sup>11</sup>		Ω
Input Capacitance			4		pF
Common Mode Voltage Range <sup>1</sup>		-V <sub>S</sub> +15		+V <sub>S</sub> -15	V
Common Mode Rejection, DC	V <sub>CM</sub> = ± 43.5 V	74	108		dB
Noise	10 kHz, R <sub>I</sub> =1 kΩ		13		nV/√Hz

1. Guaranteed but not tested.
2. Doubles for every 10 °C of case temperature increase.

**GAIN**

Parameter	Test Conditions	Min	Typ	Max	Units
Large Signal Bandwidth <sup>1, 2</sup>	A <sub>v</sub> =-100, R <sub>LOAD</sub> = 1 kΩ, V <sub>OUT</sub> =220 V <sub>pp</sub> , ±V <sub>S</sub> =±125 V		28		kHz
Gain Bandwidth Product	F=1 MHz		5.8		MHz
PSRR, DC	Referred to input	80	104		dB

1. Guaranteed but not tested.
2. Calculated from minimum slew rate.

**OUTPUT**

Parameter	Test Conditions	Min	Typ	Max	Units
Output Voltage Swing, Sourcing	$ I_{OUT} =2\text{ A}$	$+V_S-7.9$	$+V_S-7$		V
	$ I_{OUT} =10\text{ A}$	$+V_S-15$	$+V_S-8.5$		V
Output Voltage Swing, Sinking	$ I_{OUT} =2\text{ A}$		$-V_S+7$	$-V_S+7.9$	V
	$ I_{OUT} =10\text{ A}$		$-V_S+8.5$	$-V_S+15$	V
Current, Continuous, within SOA		10	12		A
Settling Time to 5% <sup>1</sup>	10 V step, $A_V=-4$ 2 A/ $\mu\text{s}$ load transient			5	$\mu\text{s}$
Slew Rate	$A_V=-100$ , $R_{LOAD} = 1\text{ k}\Omega$	20	35		V/ $\mu\text{s}$
Current Limit vs. Temperature	$R_{LIM}=0.2\ \Omega$ , $T_C=25\text{ }^\circ\text{C}$ to $85\text{ }^\circ\text{C}$		3.5		%

1. Guaranteed but not tested.

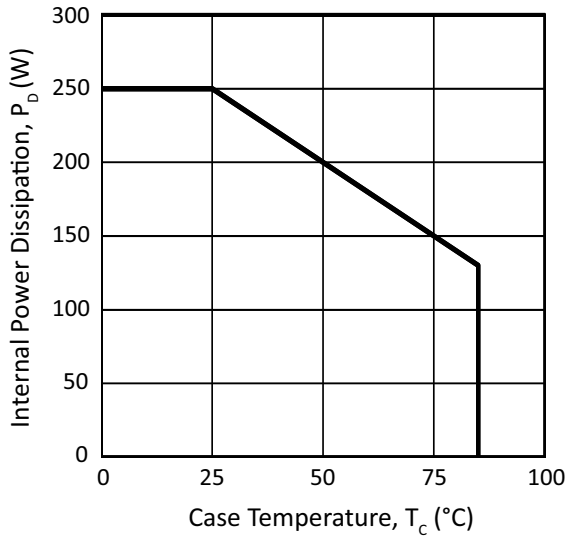
**POWER SUPPLY**

Parameter	Test Conditions	Min	Typ	Max	Units
Supply Voltage ( $+V_S$ , $-V_S$ )		46	200	220	V
Current, quiescent	220 V supply		45	55	mA

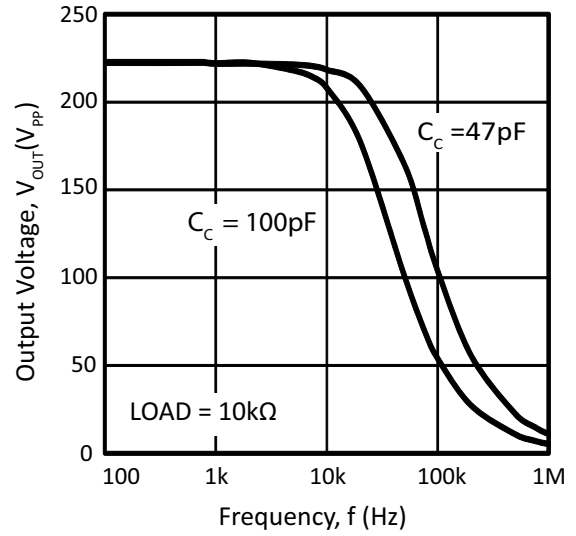
**THERMAL**

Parameter	Test Conditions	Min	Typ	Max	Units
Resistance, AC, Junction to case	$F \geq 60\text{ Hz}$		0.35		$^\circ\text{C}/\text{W}$
Resistance, DC, junction to case	$F < 60\text{ Hz}$		0.5		$^\circ\text{C}/\text{W}$
Resistance, Junction to Air	Full temp range		12		$^\circ\text{C}/\text{W}$
Temperature Range, Case	Meet full range specs	-25		+85	$^\circ\text{C}$
Temperature Sense Diode Temp. Coefficient			-2		mV/ $^\circ\text{C}$

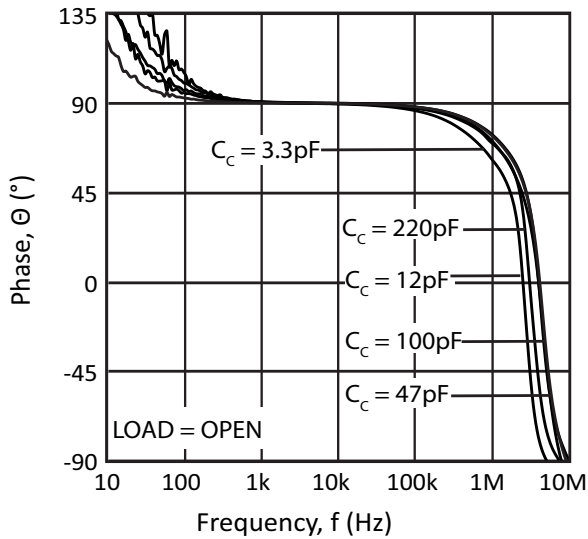
**Figure 4: Power Derating**



**Figure 5: Power Response**



**Figure 6: Phase Response**



**Figure 7: Small Signal Response**

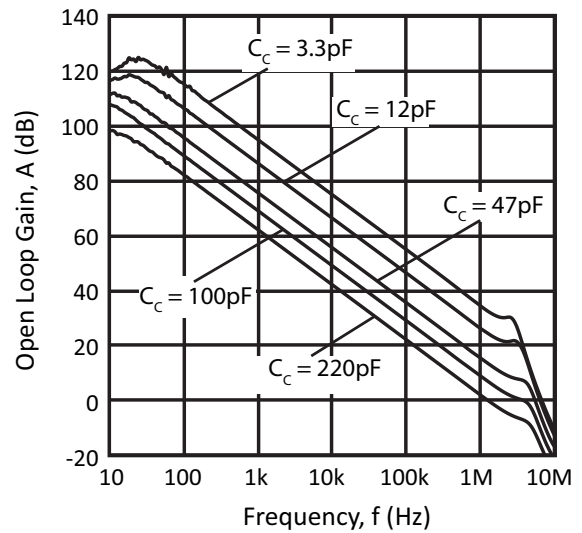


Figure 8: Output Voltage Swing

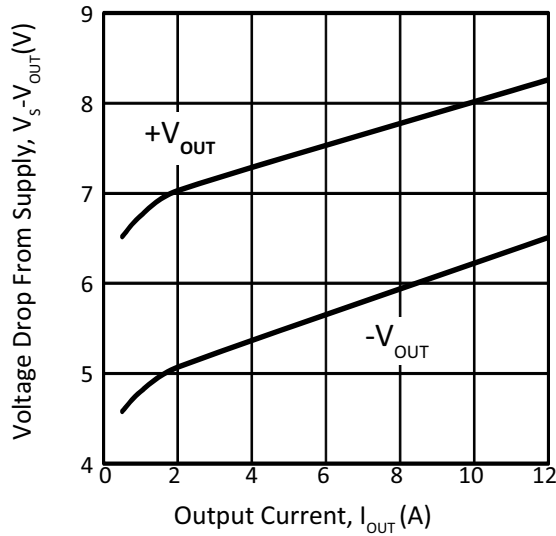


Figure 9: Quiescent Current

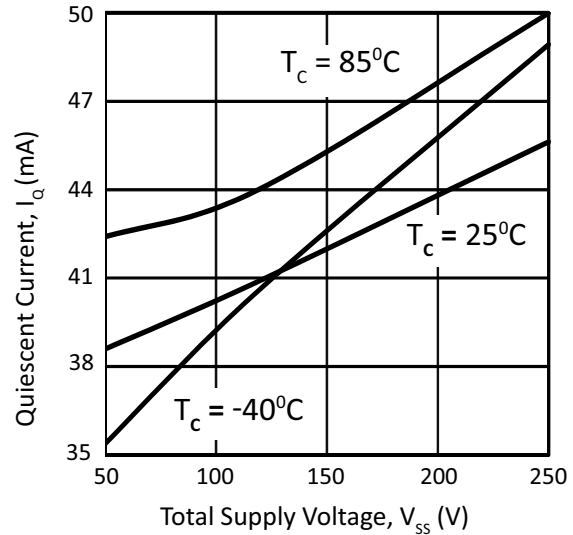


Figure 10: Power Supply Rejection

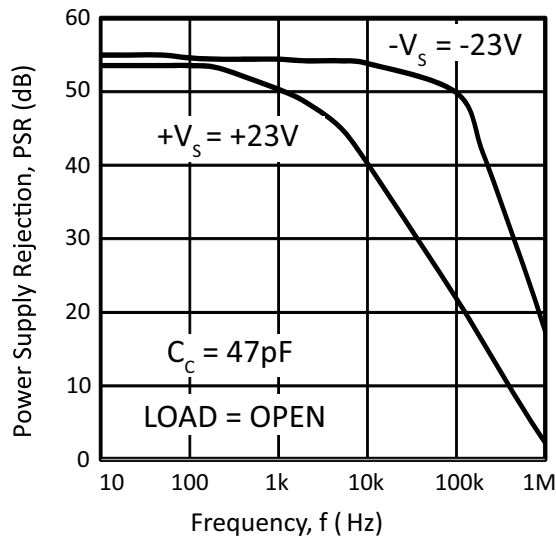


Figure 11: Power Supply Rejection

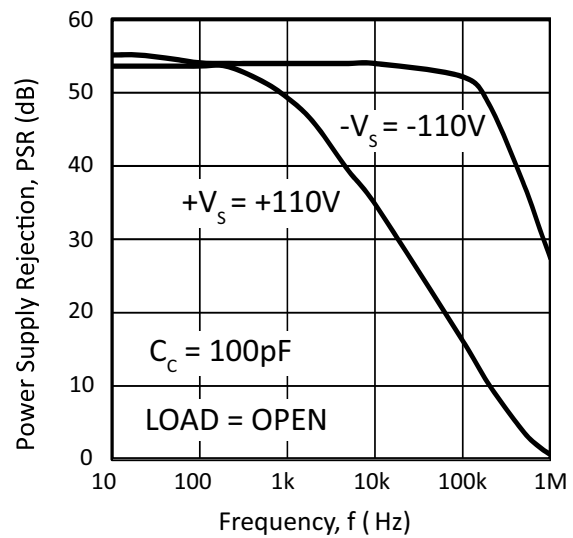




Figure 12: Step Response

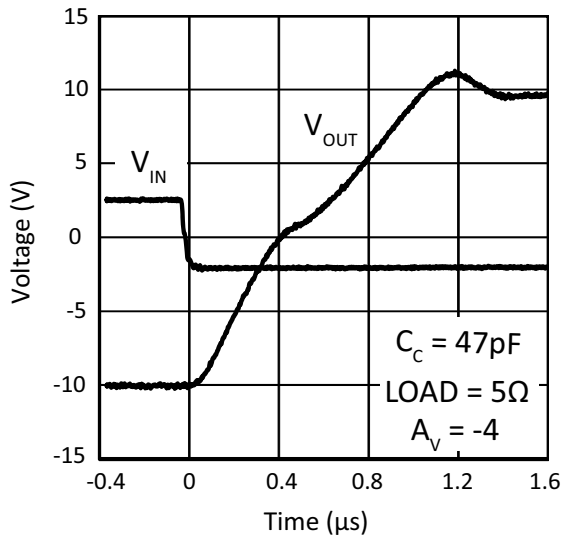


Figure 13: Pulse Response

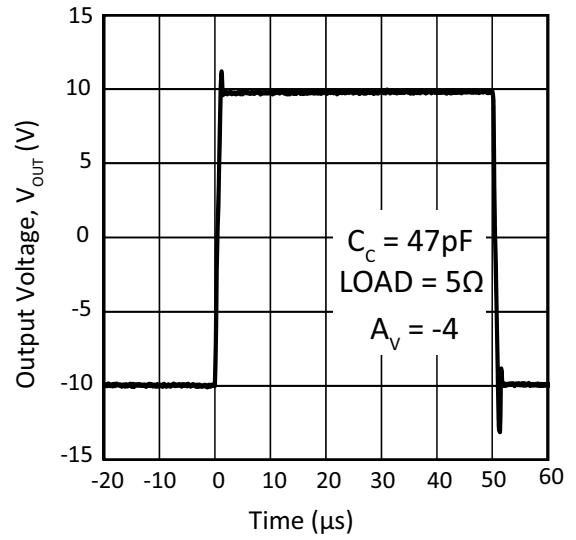
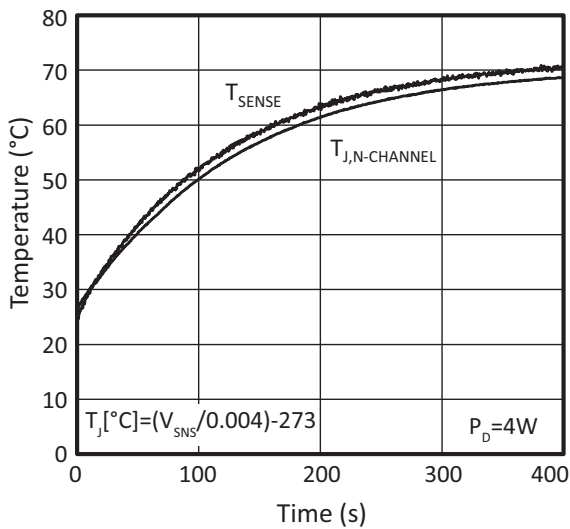


Figure 14: Temp Sense vs Time



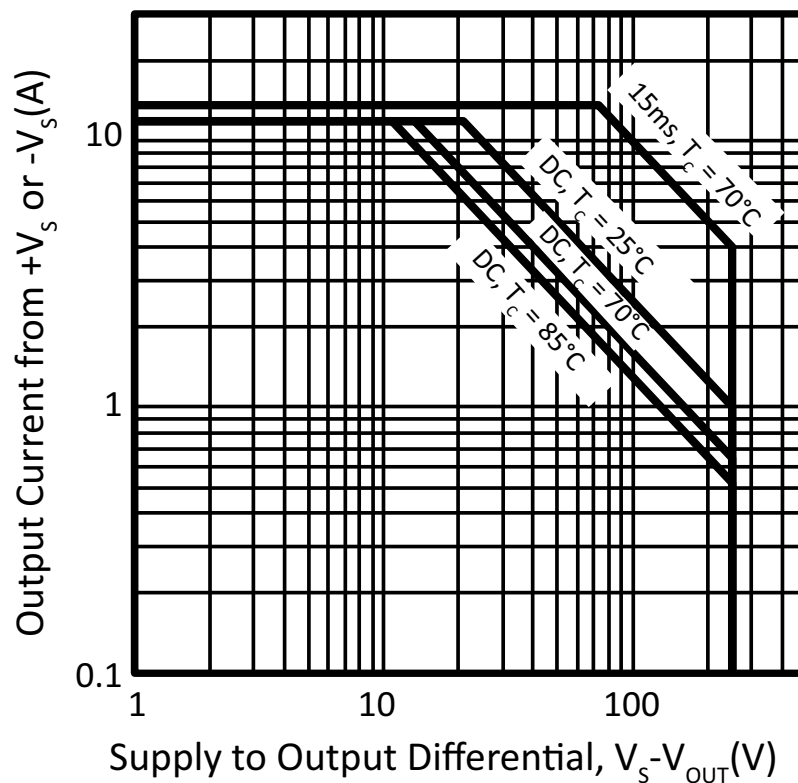
**GENERAL**

Please read Application Note 1 “General Operating Considerations” which covers stability, supplies, heat sinking, mounting, current limit, SOA interpretation, and specification interpretation. Visit [www.apexanalog.com](http://www.apexanalog.com) for Apex Microtechnology’s complete Application Notes library, and Technical Seminar Workbook, and Evaluation Kits.

**SAFE OPERATING AREA (SOA)**

The MOSFET output stage of the PA22 is not limited by second breakdown considerations as in bipolar output stages. Only thermal considerations and current handling capabilities limit the SOA (see Figure 15). The output stage is protected against transient flyback by the parasitic body diodes of the output stage MOSFET structure. However, for protection against sustained high energy flyback conditions, external fast-recovery diodes must be used.

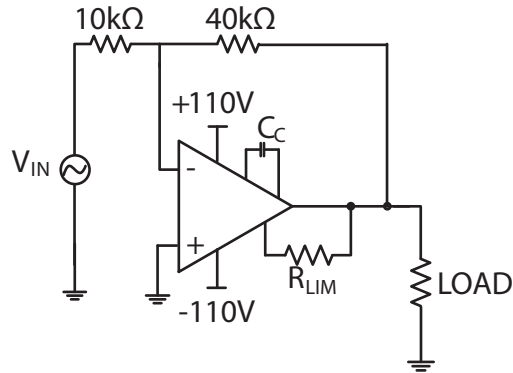
**Figure 15: Safe Operating Area (SOA)**



## TYPICAL APPLICATION

In Figure 16, PA22 is used in an inverting gain of 4 for a programmable voltage source application.

**Figure 16: Typical Application Schematic**



## CURRENT LIMIT

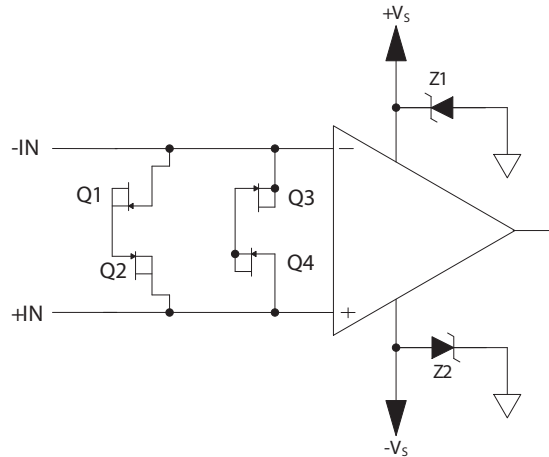
For proper operation, the current limit resistor ( $R_{LIM}$ ) must be connected as shown in the external connection diagram. For optimum reliability, the resistor value should be set as high as possible. The value is calculated as follows. The current limit function can be disabled by shorting the  $I_{LIM}$  pin to the OUT pin. When current limit is active, an internal bias current of 20 mA typical will be shunted through  $R_{LIM}$  into the load. The lowest practical current limit level will be 20 mA.

$$I_{LIM} = \frac{0.65V}{R_{LIM}} + \begin{pmatrix} 20mA, I_{OUT} \geq 0A \\ -10mA, I_{OUT} < 0A \end{pmatrix}$$

## OVERVOLTAGE PROTECTION

Although the PA22 can withstand differential input voltages up to  $\pm 25$  V, additional external protection is recommended. In most applications, 1N4148 signal diodes connected series anti-parallel across the input pins is sufficient. In more demanding applications where bias current is important, diode-connected JFETs such as 2N4416 will be required. See Q1 through Q4 in Figure 17. In either case, the differential input voltage will be clamped to  $\pm 1.4$  V. This is usually sufficient overdrive to produce the maximum power bandwidth. Some applications will also need over voltage protection devices connected to the power supply rails. Unidirectional zener diode transient suppressors are recommended. The zener diodes clamp transients to voltages within the power supply rating and also clamp power supply reversals to ground. Whether the zener diodes are used or not, the system power supply should be evaluated for transient performance including power-on overshoot and power-off polarity reversals, as well as line regulation. See Z1 and Z2 in Figure 17.

Figure 17: Overvoltage Protection



## POWER SUPPLY BYPASSING

Bypass capacitors to power supply terminals +V<sub>S</sub> and -V<sub>S</sub> must be connected physically close to the pins. Apex recommends to use electrolytic capacitors of 10 μF or greater per output amp. As additional prevention of local parasitic oscillation in the output stage of the PA22, Apex advises to place high quality ceramic capacitors (X7R) of 0.1 μF or greater in parallel to the electrolytic capacitors.

## PHASE COMPENSATION

The external compensation capacitor C<sub>C</sub> is connected between pins 3 and 4. Unity gain stability can be achieved with any capacitor value larger than 220 pF for a minimum phase margin of 45° driving resistive loads. At higher gains, more phase shift can usually be tolerated, and the compensation capacitor value can be reduced to result in higher bandwidth and slew rate. Use the typical operating curves as a guide to select C<sub>C</sub> for the application. An NPO (COG) type capacitor rated for the full supply voltage (250 V) is required.

## TEMPERATURE SENSE

PA22 offers accurate junction-temperature sense. This uses two parallel bipolar transistors mounted directly on top of select power die for near-junction temperature measurement. Connect pins 12 and 13 to the D- and D+ pins of LTC2997 (or similar device), respectively. The LTC2997 will properly bias the bipolar transistors and translate the signal to a Proportional To Absolute Temperature (PTAT) voltage. Apex does not recommend reading temperature without an LTC2997 or similar device.

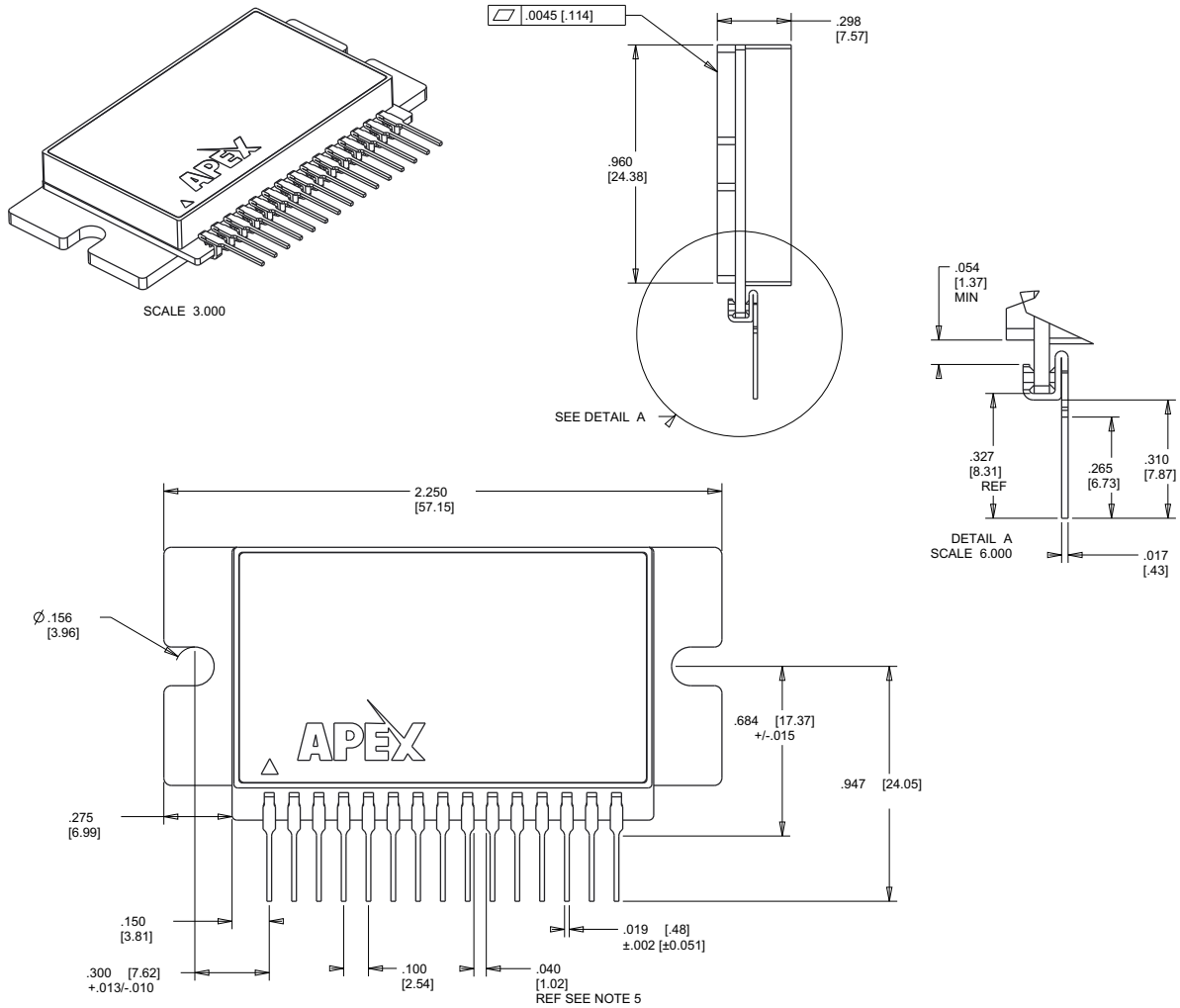
**PACKAGE OPTIONS**

Part Number	Apex Package Style	Description
PA22	LL	15-Pin Power SIP

**PACKAGE OUTLINE (STYLE LL)**

**NOTES:**

1. Dimensions are in inches & [mm].
2. Triangle on lid denotes Pin 1.
3. Pins: Alloy 510 phosphor bronze plated with matte tin (150-300u") over nickel (500u" max.) underplate.
4. Epoxy-sealed & ultrasonically welded non-hermetic package.
5. Creepage distance between I/O pin pads: 0.050 inches.
6. The exposed substrate contains BeO. Do not crush, machine or subject to temperatures in excess of 850° C to avoid generating toxic fumes.



---

## **NEED TECHNICAL HELP? CONTACT APEX SUPPORT!**

For all Apex Microtechnology product questions and inquiries, call toll free 800-546-2739 in North America. For inquiries via email, please contact [apex.support@apexanalog.com](mailto:apex.support@apexanalog.com). International customers can also request support by contacting their local Apex Microtechnology Sales Representative. To find the one nearest to you, go to [www.apexanalog.com](http://www.apexanalog.com)

---

### IMPORTANT NOTICE

Apex Microtechnology, Inc. has made every effort to insure the accuracy of the content contained in this document. However, the information is subject to change without notice and is provided "AS IS" without warranty of any kind (expressed or implied). Apex Microtechnology reserves the right to make changes without further notice to any specifications or products mentioned herein to improve reliability. This document is the property of Apex Microtechnology and by furnishing this information, Apex Microtechnology grants no license, expressed or implied under any patents, mask work rights, copyrights, trademarks, trade secrets or other intellectual property rights. Apex Microtechnology owns the copyrights associated with the information contained herein and gives consent for copies to be made of the information only for use within your organization with respect to Apex Microtechnology integrated circuits or other products of Apex Microtechnology. This consent does not extend to other copying such as copying for general distribution, advertising or promotional purposes, or for creating any work for resale.

**APEX MICROTECHNOLOGY PRODUCTS ARE NOT DESIGNED, AUTHORIZED OR WARRANTED TO BE SUITABLE FOR USE IN PRODUCTS USED FOR LIFE SUPPORT, AUTOMOTIVE SAFETY, SECURITY DEVICES, OR OTHER CRITICAL APPLICATIONS. PRODUCTS IN SUCH APPLICATIONS ARE UNDERSTOOD TO BE FULLY AT THE CUSTOMER OR THE CUSTOMER'S RISK.**

Apex Microtechnology, Apex and Apex Precision Power are trademarks of Apex Microtechnology, Inc. All other corporate names noted herein may be trademarks of their respective holders.